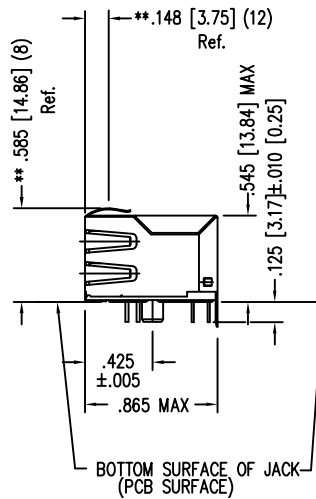
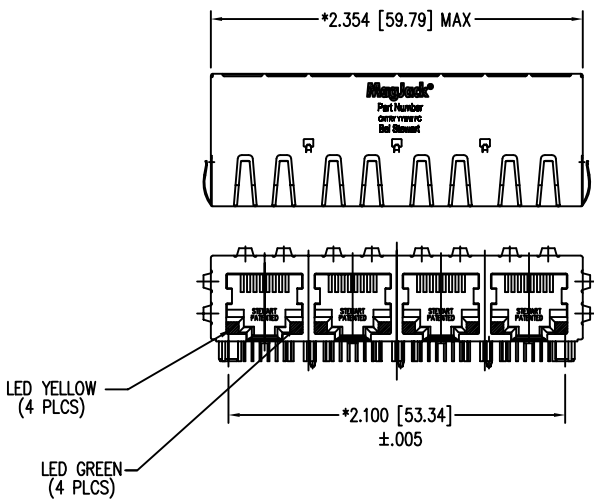


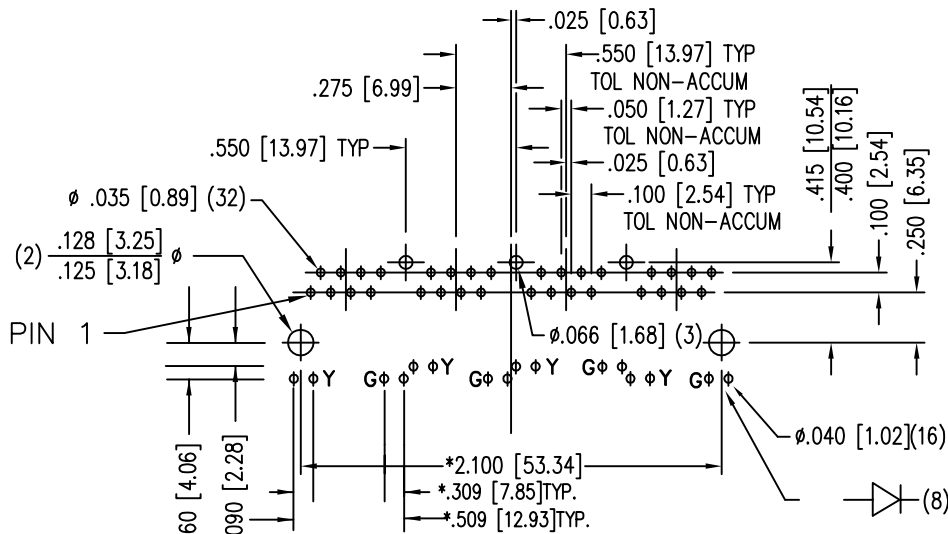
ELECTRICAL SPECIFICATIONS:

- | | | |
|------|---|--|
| 1.0 | URNS RATIO: (P6-P5-P4) : (J6-J3) | : 1CT : 1CT ± 3% |
| | (P3-P2-P1) : (J2-J1) | : 1CT : 1CT ± 3% |
| 2.0 | INDUCTANCE: (P6-P4) | : 350uH MIN. @ 0.1V, 100KHz, 8mA DC Bias |
| | (P3-P1) | : 350uH MIN. @ 0.1V, 100KHz, 8mA DC Bias |
| 3.0 | LEAKAGE INDUCTANCE: P6-P4 (WITH J6 AND J3 SHORT) | : 0.3 MAX. @ 1MHz |
| | P3-P1 (WITH J2 AND J1 SHORT) | : 0.3 MAX. @ 1MHz |
| 4.0 | INTERWINDING CAPACITANCE: (P6,P5,P4) TO (J6,J3) | : 30pf MAX @ 1MHz |
| | (P3,P2,P1) TO (J2,J1) | : 30pf MAX @ 1MHz |
| 5.0 | DC RESISTANCE: (J6-J3)=(J2-J1) | : 1.2 ohms Max. |
| 6.0 | RETURN LOSS:(P6-P4)=100 OHMS AND (P1-P3)=100 OHM REF. | |
| | 1MHz TO 30MHz | : 18dB MIN. |
| | 60MHz TO 80MHz | : 12dB MIN. |
| | NOTE: 100 OHMS CONNECTED TO (J2-J1) OR (J6-J3). | |
| 7.0 | DIELECTRIC WITHSTAND: (J1, J2) TO (P1, P3) | : 1500 VAC |
| | (J3, J6) TO (P4,P6) | : 1500 VAC |
| 8.0 | INSERTION LOSS: RS=RL=100 ohms | |
| | 100KHz TO 100MHz | : 1.1 dB TYP |
| 9.0 | RISE TIME: RS=100 OHMS AND RL = 100 OHMS | |
| | OUTPUT VOLTAGE = 1 V peak | : 3.0 nS MAX |
| | PULSE WIDTH= 112nS | : 3.0 nS MAX |
| 10.0 | CROSS TALK: 1MHz TO 100MHz | : 40 dB TYP |
| 11.0 | COMMON TO COMMON MODE ATTENUATION: 30MHz TO 100MHz | : 35dB TYP |



NOTES:

- TOLERANCES COMPLY WITH
- DIMENSIONS SHOWN WITH
- ABOUT CENTER LINE
- "**" ON DIMENSION INDICATES
- DIMENSIONS SHOWN ARE
- PIN NOT ELECTRICALLY CONNECTED
- SEE ELECTRICAL DRAWING
- STANDARD 50 MICRO-INCH



P.C.B. RECOMMENDED HOLE LAYOUT
 SEEN FROM COMPONENT SIDE
 TOLERANCE ±.003 [0.08] UNLESS OTHERWISE SPECIFIED

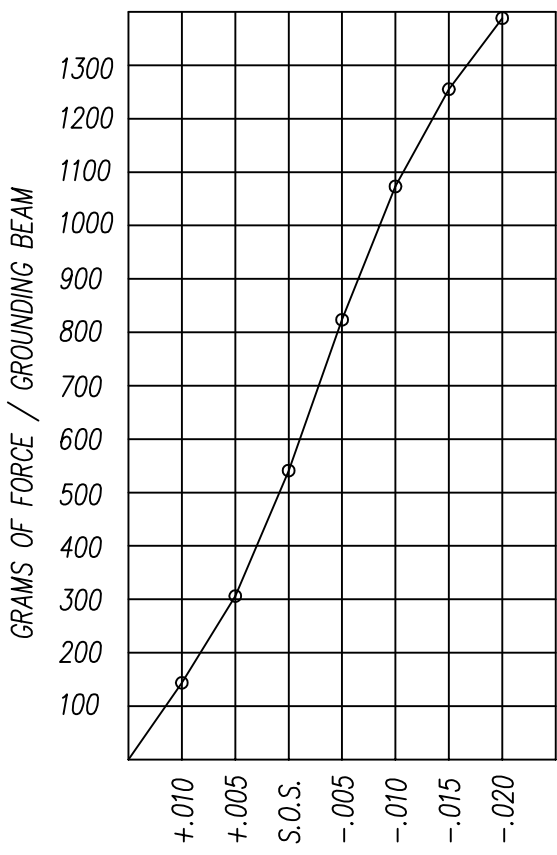
LED SPECIFICATIONS

- FORWARD VOLTAGE
- FORWARD CURRENT
- POWER DISSIPATION
- WAVELENGTH
- INTENSITY @ 10mm

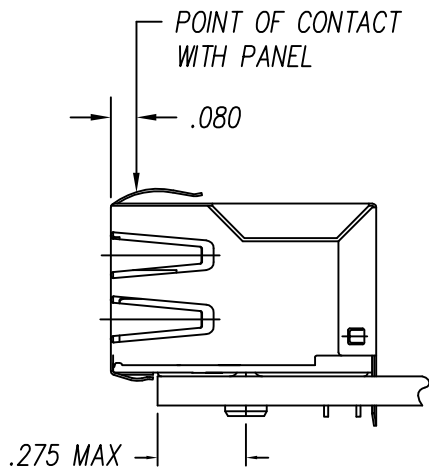
CT720091/CT720074/24-0028

THIS DRAWING AND THE SUBJECT MATTER SHOWN THEREON ARE CONFIDENTIAL AND PROPERTY OF BEL STEWART CONNECTOR AND SHALL NOT BE REPRODUCED, COPIED, OR USED IN ANY MANNER WITHOUT PRIOR WRITTEN CONTENT OF BEL STEWART CONNECTOR. THE SUBJECT MATTER MAY BE PATENTED OR A PATENT MAY BE PENDING.

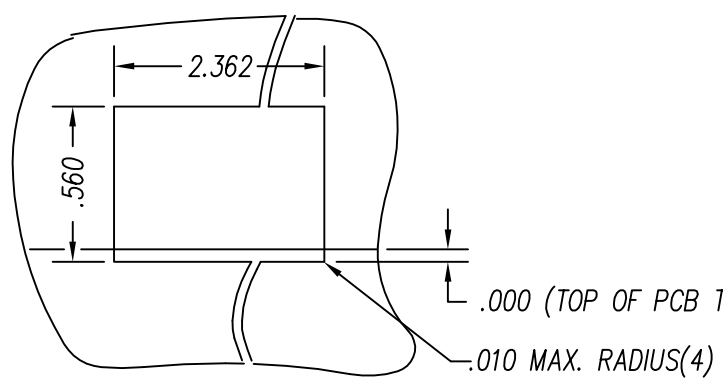
Bel Stewart Connector
 11118 Susquehanna
 Glen Rock, Pa 17320
 717.234.7512



PANEL GROUNDING BEAM DEFLECTION
S.O.S. = SUGGESTED OPENING SIZE



THE SUGGESTED PANEL OPENING IS INTENDED TO GIVE THE USER THE ABILITY TO HAVE A REASONABLE JACK / PANEL CLEARANCE YET MAINTAIN RELIABLE GROUNDING CAPABILITY. THESE VARIABLES CAN BE ADJUSTED IN EITHER DIRECTION BUT MAY CARRY SOME CONSEQUENCES IN THE FORM OF LOWER MATING FORCES OR TIGHTER ASSEMBLY TOLERANCES. FORCE VALUES ON THE GRAPH ARE GENERAL AVERAGES TAKEN AT THE POINT OF CONTACT SHOWN ABOVE. THE SUGGESTED PANEL OPENING INCLUDES APPROXIMATELY .020 CLEARANCE ON THE SIDES AND TOP AND .005 ON THE BOTTOM.



SUGGESTED PANEL OPENING

CT720035X1/24-001701

Bel Stewart Connector
11118 Susquehanna
Glen Rock, Pa 17322
717.234.7512

THIS DRAWING AND THE SUBJECT MATTER SHOWN THEREON ARE CONFIDENTIAL AND PROPERTY OF BEL STEWART CONNECTOR AND SHALL NOT BE REPRODUCED, COPIED, OR USED IN ANY MANNER WITHOUT PRIOR WRITTEN CONSENT OF BEL STEWART CONNECTOR. THE SUBJECT MATTER MAY BE PATENTED OR A PATENT MAY BE PENDING.